

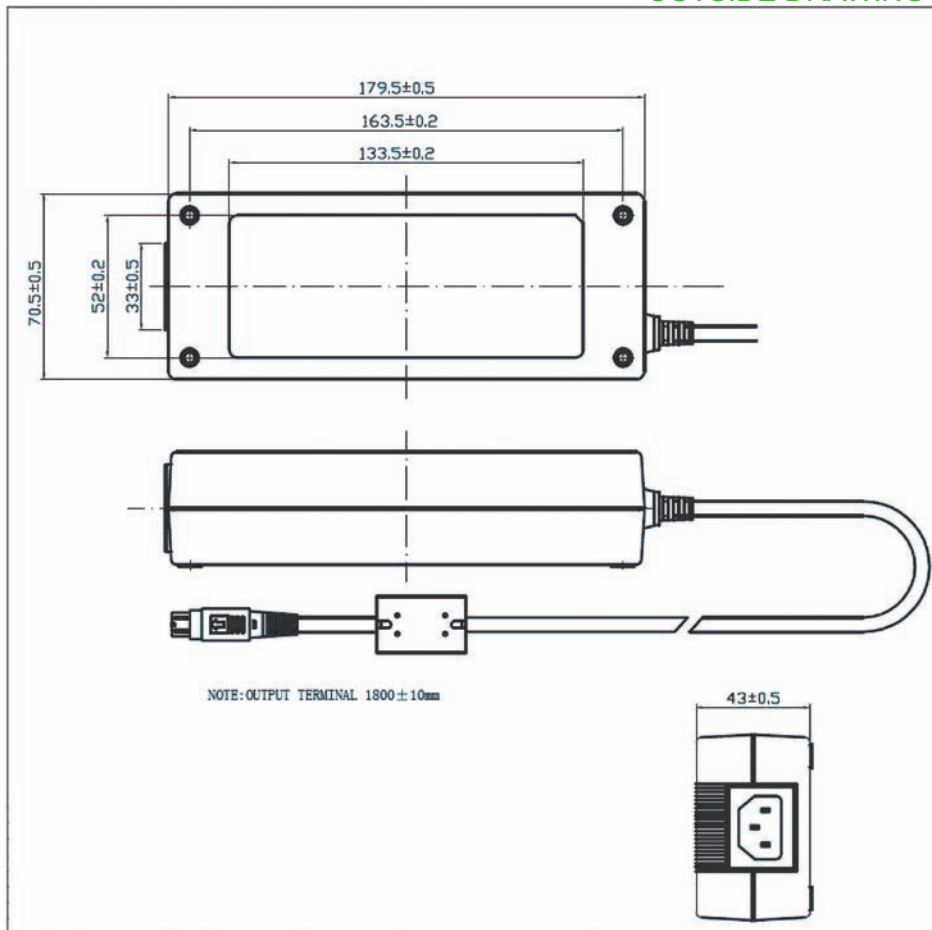
DESKTOP AC/DC ADAPTER

120-150 W SERIES

GENERAL SPECIFICATION

| MODEL | INPUT | OUTPUT | DIMENSION | SAFETY |
|---------|-----------|------------|-------------|-----------------|
| CDT-32 | 90-264VAC | 24VDC@6.0A | 180×70×43mm | UL、CE、CB、EK、CCC |
| CDT-32B | 90-264VAC | 12VDC@8.0A | 180×70×43mm | |

OUTSIDE DRAWING



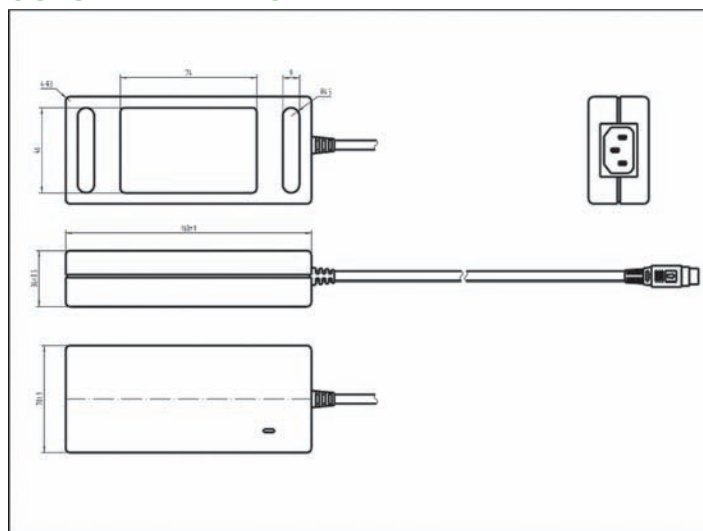
DESKTOP AC/DC ADAPTER

90-120 W SERIES

GENERAL SPECIFICATION

| MODEL | INPUT | OUTPUT | DIMENSION | SAFETY |
|---------|-----------|------------|-------------|--------|
| CDT-30 | 90-264VAC | 24VDC@4.5A | 160×70×36mm | UL |
| CDT-30B | 90-264VAC | 12VDC@8.0A | 160×70×36mm | |
| CDT-30C | 90-264VAC | 15VDC@6.8A | 160×70×36mm | |
| CDT-30D | 90-264VAC | 16VDC@6.5A | 160×70×36mm | |
| CDT-30E | 90-264VAC | 18VDC@5.0A | 160×70×36mm | |
| CDT-30F | 90-264VAC | 19VDC@6.0A | 160×70×36mm | |
| CDT-30G | 90-264VAC | 20VDC@5.5A | 160×70×36mm | |

OUTSIDE DRAWING



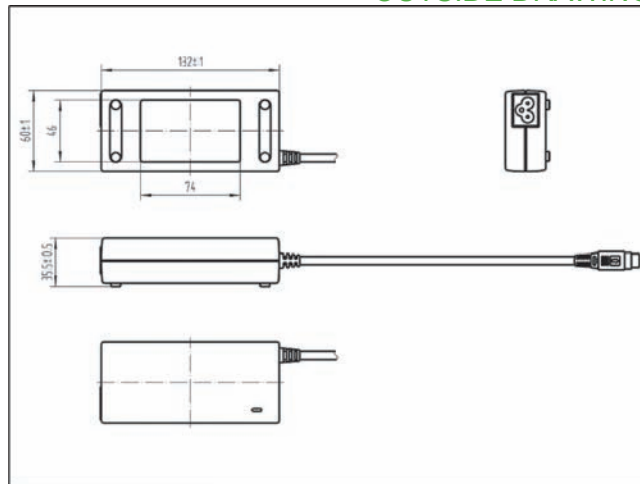
DESKTOP AC/DC ADAPTER

70-90 W SERIES

GENERAL SPECIFICATION

| MODEL | INPUT | OUTPUT | DIMENSION | SAFETY |
|---------|-----------|-------------|---------------|--------|
| CDT-88A | 90-264VAC | 12VDC@7.0A | 132×60×35.5mm | |
| CDT-88B | 90-264VAC | 15VDC@6.0A | 132×60×35.5mm | |
| CDT-88C | 90-264VAC | 16VDC@5.6A | 132×60×35.5mm | |
| CDT-88D | 90-264VAC | 18VDC@5.0A | 132×60×35.5mm | |
| CDT-88E | 90-264VAC | 19VDC@4.7A | 132×60×35.5mm | |
| CDT-88F | 90-264VAC | 20VDC@4.5A | 132×60×35.5mm | |
| CDT-88G | 90-264VAC | 22VDC@4.0A | 132×60×35.5mm | |
| CDT-88H | 90-264VAC | 24VDC@3.75A | 132×60×35.5mm | |

OUTSIDE DRAWING

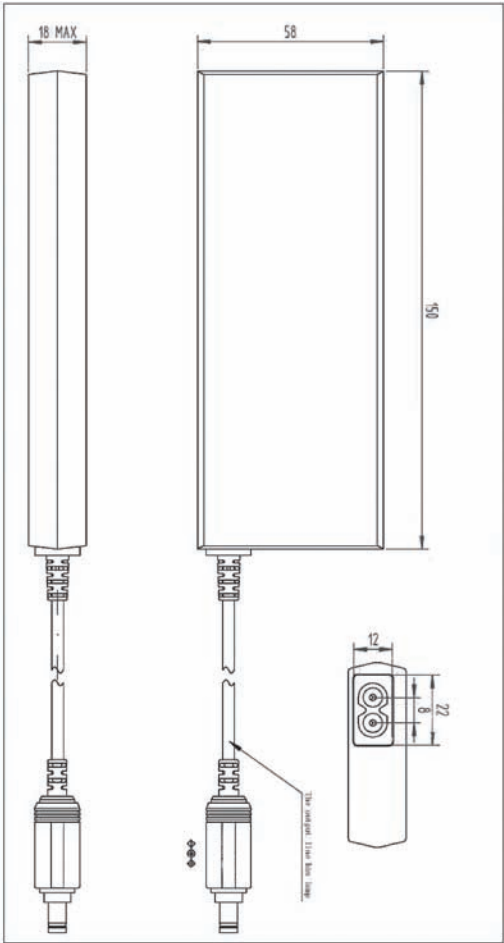


DESKTOP AC/DC ADAPTER 60-70 W SERIES

GENERAL SPECIFICATION

| MODEL | INPUT | OUTPUT | DIMENSION | SAFETY |
|---------|-----------|------------|-------------|--------|
| CDT-70A | 90-264VAC | 12VDC@5.0A | 150×58×18mm | |
| CDT-70B | 90-264VAC | 19VDC@3.5A | 150×58×18mm | |
| CDT-70C | 90-264VAC | 16VDC@4.0A | 150×58×18mm | |
| CDT-70D | 90-264VAC | 21VDC@3.2A | 150×58×18mm | |
| CDT-70E | 90-264VAC | 24VDC@2.6A | 150×58×18mm | |

OUTSIDE DRAWING

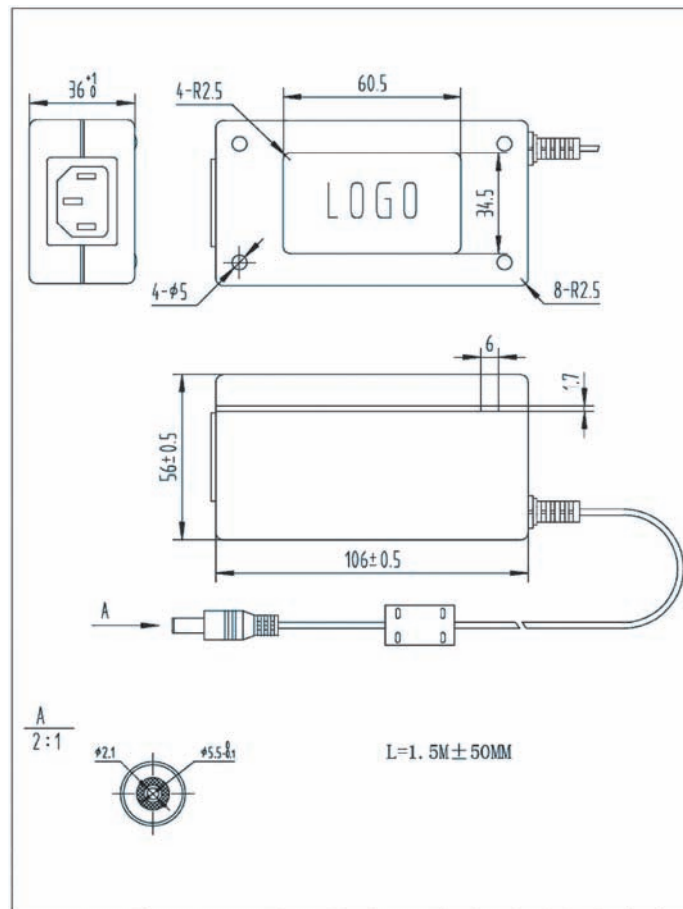


DESKTOP AC/DC ADAPTER 50-60 W SERIES

GENERAL SPECIFICATION

| MODEL | INPUT | OUTPUT | DIMENSION | SAFETY |
|---------|-----------|------------|-------------|-----------|
| CDT-20 | 90-264VAC | 12VDC@4.8A | 106×56×36mm | UL、CE、CCC |
| CDT-20B | 90-264VAC | 24VDC@2.5A | 106×56×36mm | |
| CDT-20C | 90-264VAC | 48VDC@1.2A | 106×56×36mm | |

OUTSIDE DRAWING



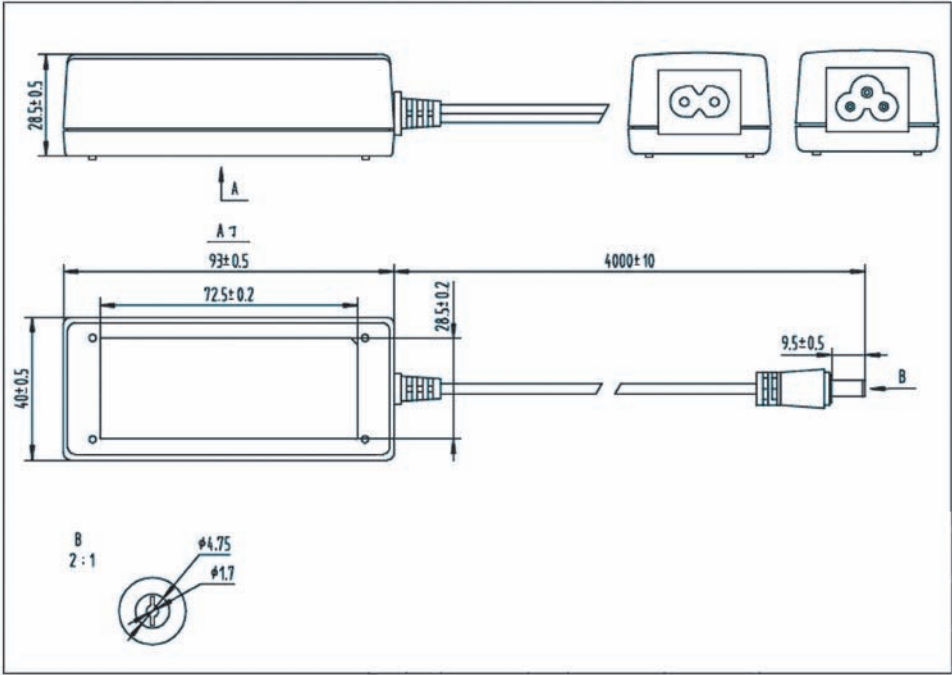
DESKTOP AC/DC ADAPTER

30-40 W SERIES

GENERAL SPECIFICATION

| MODEL | INPUT | OUTPUT | DIMENSION | SAFETY |
|---------|-----------|-------------|------------|--------------------------------|
| CDT-16 | 90-264VAC | 12VDC@3.0A | 93×40×28mm | UL, CE, SGS, CEC, PSE, CB, CCC |
| CDT-16A | 90-264VAC | 24VDC@1.5A | 93×40×28mm | CE |
| CDT-16B | 90-264VAC | 48VDC@1.83A | 93×40×28mm | CE, GS, ROM |

OUTSIDE DRAWING



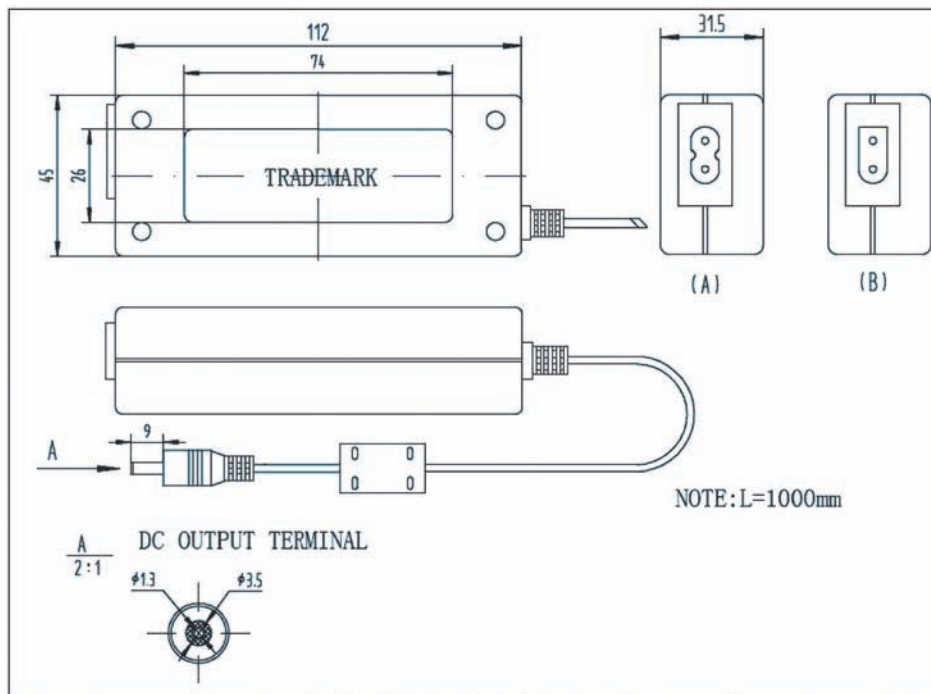
DESKTOP AC/DC ADAPTER

20-30 W SERIES

GENERAL SPECIFICATION

| MODEL | INPUT | OUTPUT | DIMENSION | SAFETY |
|---------|-----------|-------------|---------------|-----------------|
| CDT-08 | 90-264VAC | 9.0VDC@2.2A | 112×45×31.5mm | UL、CE、GS、CCC、EK |
| CDT-10 | 90-264VAC | 12VDC@2.0A | 112×45×31.5mm | UL、CE、GS、CCC |
| CDT-10B | 90-264VAC | 24VDC@1.0A | 112×45×31.5mm | |

OUTSIDE DRAWING

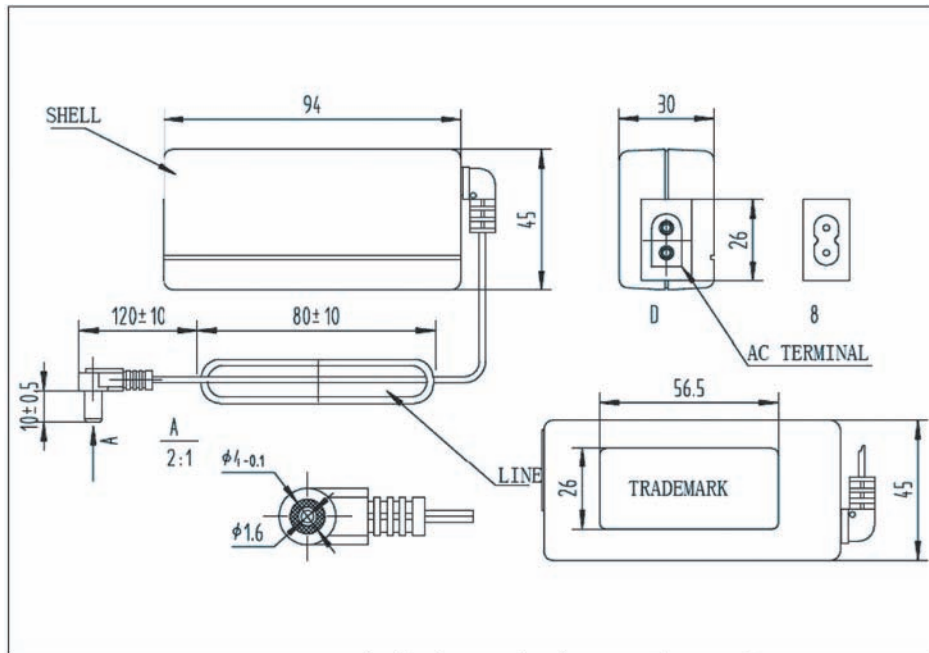


DESKTOP AC/DC ADAPTER

18-25 W SERIES

GENERAL SPECIFICATION

| MODEL | INPUT | OUTPUT | DIMENSION | SAFETY |
|---------|-----------|--------------|------------|---------------|
| CDT-18A | 90-264VAC | 9.0VDC@2.2A | 94×45×30mm | UL、CE、SAA、CCC |
| CDT-18B | 90-264VAC | 12VDC@1.5A | 94×45×30mm | UL、CE、CCC |
| CDT-18C | 90-264VAC | 13.8VDC@1.5A | 94×45×30mm | |
| CDT-18D | 90-264VAC | 24VDC@1.0A | 94×45×30mm | |
| CDT-18F | 90-264VAC | 16VDC@1.5A | 94×45×30mm | CE |
| CDT-18G | 90-264VAC | 6.0VDC@3.0A | 94×45×30mm | CE |
| CDT-18H | 90-264VAC | 8.2VDC@2.5A | 94×45×30mm | CE、CCC |

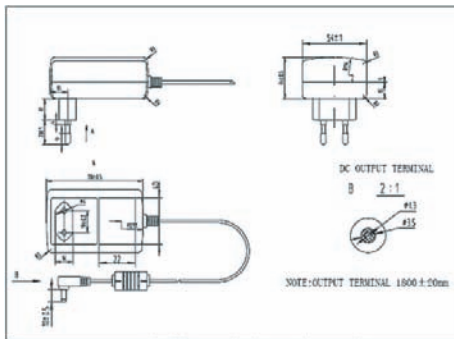


WALL PLUG-IN AC/DC ADAPTER

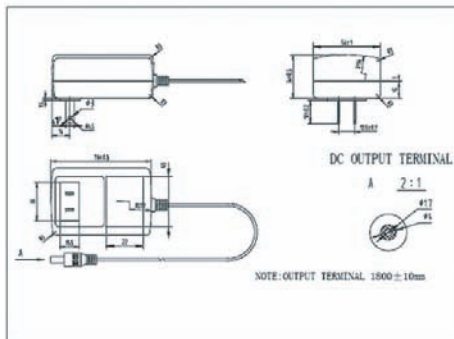
12-25 W SERIES

GENERAL SPECIFICATION

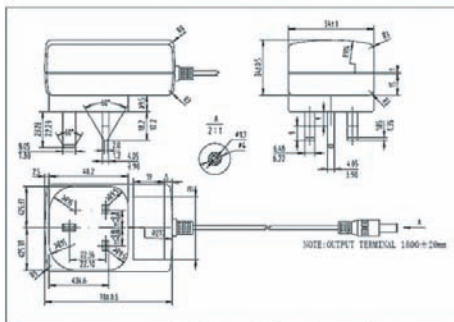
| MODEL | INPUT | OUTPUT | DIMENSION | SAFETY |
|---------|-----------|-------------|------------|--------------------------|
| CWP-25A | 90-264VAC | 9.0VDC@1.8A | 78×54×34mm | UL、CE、CB、CEC、CCC |
| CWP-25B | 90-264VAC | 12VDC@1.5A | 78×54×34mm | UL、CE、CB、CCC |
| CWP-25C | 90-264VAC | 5.0VDC@2.5A | 78×54×34mm | UL、CE、CB、CCC |
| CWP-26A | 90-264VAC | 9.0VDC@2.2A | 78×54×34mm | UL、CE、CB、CEC、PSE、FCC、CCC |
| CWP-26B | 90-264VAC | 12VDC@2.0A | 78×54×34mm | UL、CE、CB、PSE、FCC、CCC |



CE



UL



BS

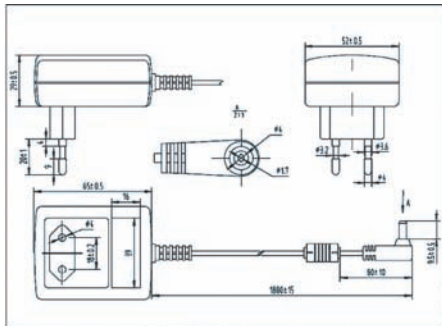


WALL PLUG-IN AC/DC ADAPTER

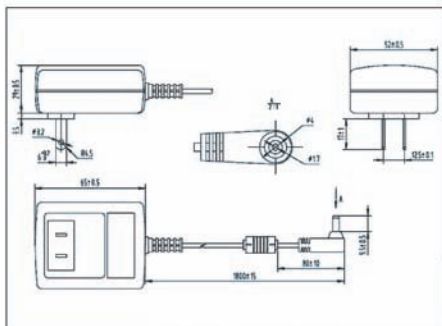
6-12 W SERIES

GENERAL SPECIFICATION

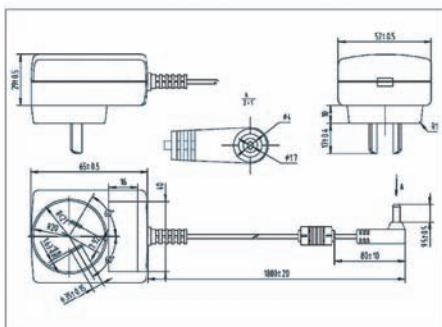
| MODEL | INPUT | OUTPUT | DIMENSION | SAFETY |
|---------|-----------|-------------|------------|---------------|
| CWP-60A | 90-264VAC | 12VDC@1.0A | 65×52×29mm | UL、CE、SAA、CCC |
| CWP-60B | 90-264VAC | 9.0VDC@1.0A | 65×52×29mm | UL、CE、SAA、CCC |
| CWP-60C | 90-264VAC | 6.0VDC@1.5A | 65×52×29mm | UL、CE、SAA、CCC |
| CWP-60D | 90-264VAC | 5.0VDC@1.5A | 65×52×29mm | UL、CE、SAA、CCC |
| CWP-60E | 90-264VAC | 5.0VDC@2.0A | 65×52×29mm | UL、CE、SAA、CCC |
| CWP-60F | 90-264VAC | 16VDC@1.0A | 65×52×29mm | CE |
| CWP-60H | 90-264VAC | 24VDC@0.65A | 65×52×29mm | CE |



CE



UL



SAA

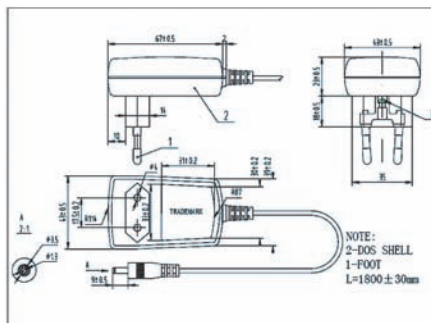


WALL PLUG-IN AC/DC ADAPTER

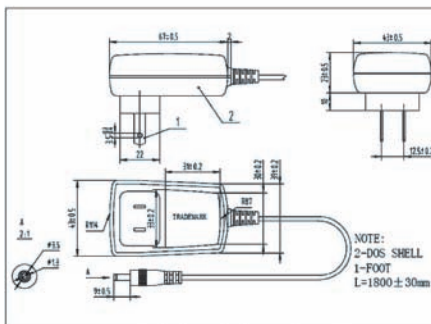
3-6 W SERIES

GENERAL SPECIFICATION

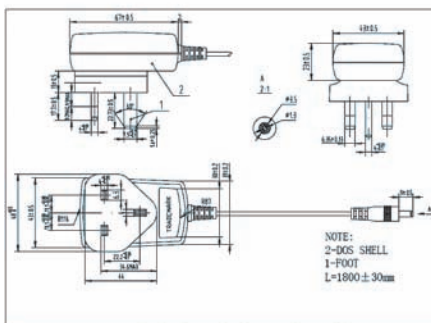
| MODEL | INPUT | OUTPUT | DIMENSION | SAFETY |
|---------|-----------|-------------|------------|--------------|
| CWP-100 | 90-264VAC | 6.0VDC@1.0A | 67×43×23mm | UL、CB、CE、CCC |
| CWP-200 | 90-264VAC | 4.5VDC@1.2A | 67×43×23mm | UL、CB、CE、CCC |
| CWP-300 | 90-264VAC | 5.0VDC@1.0A | 67×43×23mm | UL、CB、CE、CCC |
| CWP-400 | 90-264VAC | 9.0VDC@0.6A | 67×43×23mm | UL、CB、CE、CCC |
| CWP-500 | 90-264VAC | 12VDC@0.45A | 67×43×23mm | UL、CB、CE、CCC |



CE



UL



BS



LINEAR POWER SUPPLY SERIES

GENERAL SPECIFICATION

| MODEL | RATING | INPUT AC VOLTAGE | OUTPUT DC VOLTAGE | OUTPUT DC CURRENT | SIZE(mm) | SAFTY CERTIFICATE |
|---------|--------|------------------|-----------------------------|-------------------|--------------|-------------------|
| CL-060 | | 110/240V | 3V | 400mA | | UL、GS、BS |
| CL-070 | 1.2W | 110/240V | 5V | 240mA | 57×43×43 | UL、GS、BS |
| CL-080 | | 110/240V | 12V | 100mA | 60×43×39 | UL、GS、BS |
| CL-100 | | 110/240V | 6V | 400mA | 60×43×39 | UL、GS、BS |
| CL-100C | | 110/240V | 3V | 350mA | 57×43×43 | UL、GS、BS |
| CL-100A | 6W | 110/240V | 4.6V | 400mA | 60×43×39 | UL、GS、BS |
| CL-100B | | 110/240V | 4.5V | 300mA | 68×49×43 | UL、GS、BS |
| CL-110 | 6W | 110/240V | 6V | 800mA | 68×49×43 | UL、GS、BS |
| CL-120 | 6W | 110/240V | 9V | 500mA | 70×60×50 | UL、GS、BS |
| CL-130 | 8W | 110/240V | 12V | 600mA | 70×60×50 | UL、GS、BS |
| CL-140 | 12W | 110/240V | 15V | 500mA | 130×74×55 | UL、GS、BS |
| CL-150 | 12W | 110/240V | 9V | 1200mA | 130×74×55 | UL、GS、BS |
| CL-160 | 12W | 110/240V | 12V | 1000mA | 130×74×55 | UL、GS、BS |
| CL-170 | 10W | 110/240V | 15V | 800mA | 100×60×55 | UL、GS、BS |
| CL-180 | 10W | 110/240V | 10V | 1000mA | 100×60×55 | UL、GS、BS |
| CL-190 | 10W | 110/240V | 12V | 850mA | 100×60×55 | UL、GS、BS |
| CL-200 | 10W | 110/240V | 15V | 700mA | 130×73×58 | UL、GS、BS |
| CL-210 | 10W | 110/240V | 3V, 4.5V, 6V, 7.5V, 9V, 12V | 1000mA | 130×73×58 | UL、GS、BS |
| CL-220 | 10W | 110/240V | 3V, 4.5V, 6V, 7.5V, 9V, 12V | 800mA | 130×73×58 | UL、GS、BS |
| CL-230 | 10W | 110/240V | 15V | 600mA | 121×72×50 | UL、GS、BS |
| CL-240 | 8W | 110/240V | 15V | 500mA | 130×73×58 | UL、GS、BS |
| CL-250 | 15W | 110/240V | 15V | 1000mA | 130×73×58 | UL、GS、BS |
| CL-260 | 15W | 110/240V | 15V | 1000mA | 98×36×74(35) | UL、GS、BS |
| CL-888N | 0.4W | 110/240V | 2.4V | 165mA | | UL、GS、BS |

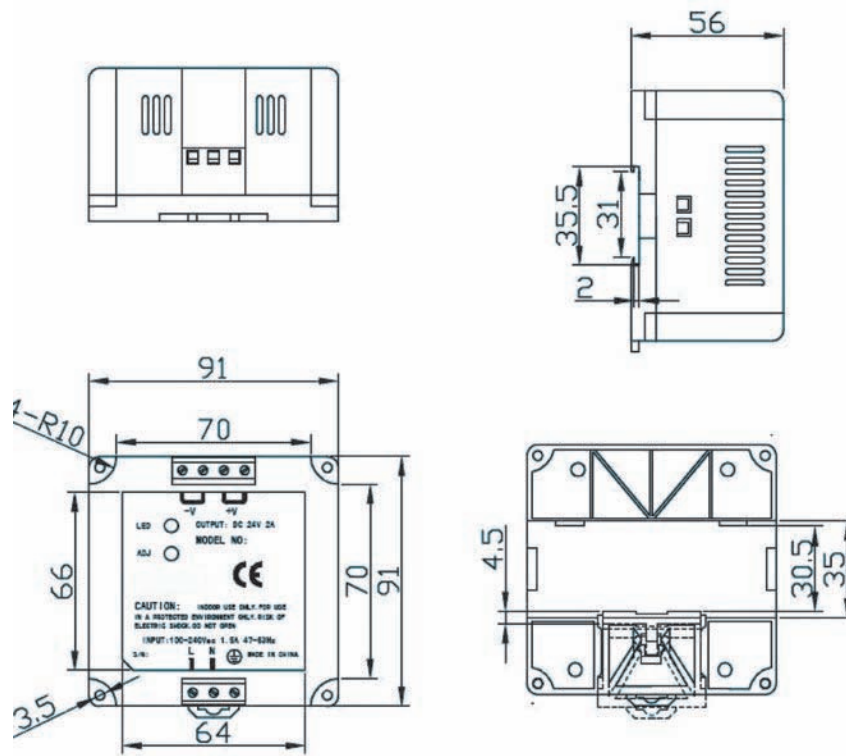


DIN-RAIL POWER SUPPLIES

GENERAL SPECIFICATION

| MODEL | INPUT | OUTPUT | DIMENSION | SAFETY |
|-----------|------------|-------------|------------|--------|
| CDR-30A05 | 100-240VAC | 5.0VDC@6.0A | 91×91×56mm | |
| CDR-50A12 | 100-240VAC | 12VDC@4.0A | 91×91×56mm | |
| CDR-50A24 | 100-240VAC | 24VDC@2.0A | 91×91×56mm | |

OUTSIDE DRAWING

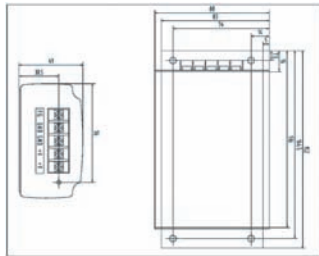


BATTERY CHARGER

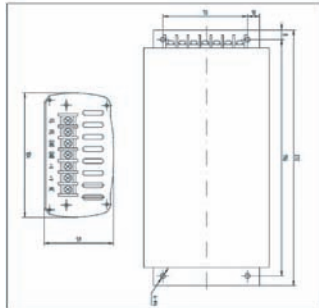
GENERAL SPECIFICATION

| MODEL | INPUT | OUTPUT | DIMENSION | SAFETY |
|-----------|------------|---------------|--------------|--------|
| CBC-40A | 100-240VAC | 13.8VDC@3.0A | 129×99×38mm | CCC、CE |
| CBC-40B | 100-240VAC | 12VDC@3.35A | 129×99×38mm | CCC、CE |
| CBC-40C | 100-240VAC | 24VDC@1.67A | 129×99×38mm | CCC、CE |
| CBC-S30A | 100-240VAC | 13.8VDC@3.0A | 152×104×59mm | CCC、CE |
| CBC-S30B | 100-240VAC | 30.5VDC@2.0A | 152×104×59mm | CCC、CE |
| CBC-S125A | 176-264VAC | 13.8VDC@12.5A | 212×104×59mm | CCC、CE |
| CBC-S125B | 176-264VAC | 27.6VDC@6.0A | 212×104×59mm | CCC、CE |
| CBC-S220A | 176-264VAC | 13.8VDC@22A | 272×104×59mm | CCC、CE |
| CBC-S220B | 176-264VAC | 27.6VDC@11A | 272×104×59mm | CCC、CE |

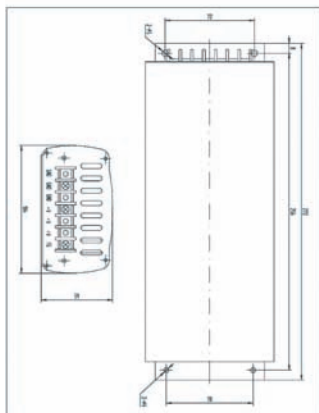
OUTSIDE DRAWING



CBC-40



CBC-S125



CBC-S220



MODULE POWER SUPPLIES

| MODEL | INPUT AC VOLTAGE | OUTPUT VOLTAGE | OUTPUT CURRENT | DIMENSION |
|---------|--------------------|----------------|----------------|------------------|
| CMK-A03 | 85-264VAC/100-265V | 3.3VDC | 1180mA | 44.5×34.5×17.5mm |
| CMK-A05 | 85-264VAC/100-265V | 5VDC | 780mA | 44.5×34.5×17.5mm |
| CMK-A09 | 85-264VAC/100-265V | 9VDC | 430mA | 44.5×34.5×17.5mm |
| CMK-A12 | 85-264VAC/100-265V | 12VDC | 320mA | 44.5×34.5×17.5mm |
| CMK-A15 | 85-264VAC/100-265V | 15VDC | 260mA | 44.5×34.5×17.5mm |
| CMK-A20 | 85-264VAC/100-265V | 20VDC | 195mA | 44.5×34.5×17.5mm |
| CMK-A24 | 85-264VAC/100-265V | 24VDC | 160mA | 44.5×34.5×17.5mm |

| MODEL | INPUT AC VOLTAGE | OUTPUT VOLTAGE | OUTPUT CURRENT | DIMENSION |
|---------|--------------------|----------------|----------------|------------|
| CMK-B05 | 85-264VAC/100-265V | 5VDC | 3.0A | 68×52×31mm |
| CMK-B09 | 85-264VAC/100-265V | 9VDC | 2.2A | 68×52×31mm |
| CMK-B12 | 85-264VAC/100-265V | 12VDC | 2.0A | 68×52×31mm |
| CMK-B15 | 85-264VAC/100-265V | 15VDC | 1.5A | 68×52×31mm |
| CMK-B20 | 85-264VAC/100-265V | 20VDC | 1.1A | 68×52×31mm |
| CMK-B24 | 85-264VAC/100-265V | 24VDC | 1.0A | 68×52×31mm |

OUTSIDE DRAWING

